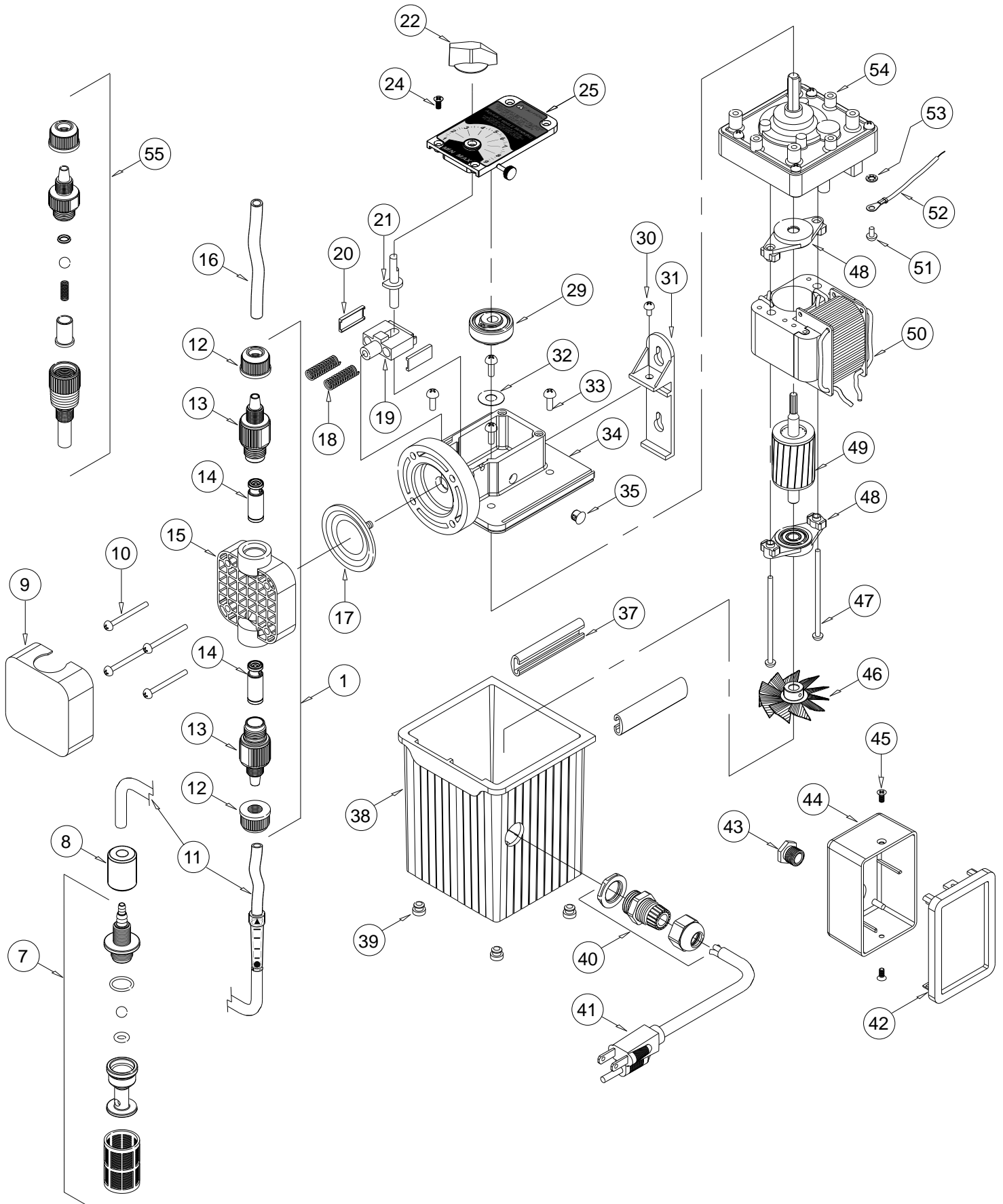


C-1500N

Replacement Parts Drawing



C-1500N PARTS LIST

Item	Part No	Description	Qty	Item	Part No	Description	Qty
1	C-535A6-6	Pumphead Kit, HDN Viton	1	30	90011-122	Screw 10-32 x .50 PHL PAN	1
	C-535A6-6E	Pumphead Kit, HDN EP	1	31	90002-106	Bracket Wall Mount	1
7	71000-324	FootValve S/A, C-340V, VT	1	32	90011-014	Spacer, Rotor	1
	71000-325	FootValve S/A, C-340E, EP	1	33	90011-122	Screw 10-32 x .50 PHL PAN	4
8	90008-068	Ceramic weight, C-346	1	34	76000-530	Motor Mount, Large Diaphragm	1
9	70004-074	Cover P/Head, HD Chem-Feed logo	1	76001-171	Motor Mount, Small Diaphragm	1	
	70004-071	Cover P/Head, HD Noir logo	1	90008-138	Plug .312 Hole Black	1	
	70004-086	Cover P/Head, HD Micro logo	1	90006-597	Gasket, Motor Mount	1	
10	90011-141	Screw 10-32 x 1.25	4	76000-630	Slide Clamp	2	
11	70000-638	Tube Indicator Glass 3/8 x 5FT	1	C-1501NR	Motor Cover for power cord models	1	
	76000-171	Tube Suction 1/4 x 5FT	1	C-1508PN-2	Motor cover for junction box models	1	
12	90002-077	Tube Nut, .25T, P.P.	2	90003-513	Bumper Feet	4	
	90002-047	Tube Nut, .37T, P.P.	2	70000-589	Connector Liq-Tite w/nut	1	
13	71000-204	Adapter S/A Bullet .37T Viton	2	90010-110	Cord 18/3 SJTW/A 115V, U.S., NEMA 5/15 plug	1	
	71000-205	Adapter S/A Bullet .37T EP	2	90010-128	Cord 18/3 SJTW/A 220V, Euro, CEE 7/VII (A) plug	1	
	71000-224	Adapter S/A Bullet .37T Silicon	2	90010-133	Cord 18/3 SJTW/A 230V, U.S., NEMA 6/15 plug	1	
	71000-225	Adapter S/A Bullet .25T Viton	2	71000-133	Cover, Junction Box with Gasket and Label	1	
	71000-226	Adapter S/A Bullet .25T EP	2	90007-515	Bushing, Junction Box Connector, Alum.	1	
	71000-227	Adapter S/A Bullet .25T Silicon	2	76000-522	Junction Box, Valox	1	
14	71000-195	Cartridge Bullet Valve S/A, Double-Ball	2	90011-129	Screw, Cover, 6-32 X .25 Phil Pan SS Black	2	
15	90002-146	P/Head Noir Molded, P.P.	1	90006-598	Fan, 1.80" Diameter, Alum.	1	
16	76000-168	Tubing D/Charge, 3/8 x 5FT	1	90011-022	Screw, Motor, 8-32 X 2.5" Phillips Steel	2	
	76000-169	Tubing D/Charge, 1/4 x 5FT.	1	70000-028	Bearing Bracket With Bearing	2	
17	70000-683	Diaphragm S/A 2.0 15N, Viton/TFE	1	70000-027	Rotor Assembly With Shaft And Spacers	1	
	70000-682	Diaphragm S/A 2.0 15N, EP/TFE	1	70000-018	Stator S/A, 115V60Hz Standard Blue-Black	1	
	70000-058	Diaphragm S/A 1.6 15N, Viton/TFE	1	70000-019	Stator S/A, 115V60Hz Thermal Brown-Blue	1	
	71000-057	Diaphragm S/A 1.6 15N, EP/TFE	1	71000-019	Stator S/A, 220V50Hz Standard Brown-Black	1	
18	90006-006	Return Spring	2	71000-020	Stator S/A, 220V50Hz Thermal Brown-Yellow	1	
19	76000-172	Stirr-up	1	70000-020	Stator S/A, 230V60Hz Standard Red-Black	1	
20	90002-001	Slide Bearing	2	70000-021	Stator S/A, 230V60Hz Thermal Red-Yellow	1	
21	90001-132	Offset Cam #1 .125"	1	70000-072	Stator S/A, 24V60Hz Standard Blue-White	1	
	90001-133	Offset Cam #2 .055"	1	90011-024	Ground Screw 8-32 x .25 Hex SL ST	1	
	90001-134	Offset Cam #3 .187"	1	90010-127	Lead Wire, ground, Green	1	
	90001-141	Offset Cam #4 .100"	1	90011-078	Washer, Ground Screw, #8 Intrl/Star	1	
22	90002-017	Dial Knob	1	71000-268	Gearbox, 14 RPM	1	
24	90011-168	Screw #6 x .62 PH oval 'A'	4	71000-269	Gearbox, 30 RPM	1	
25	C-1503N-3	Top Cover Assembly with bearing	1	71000-270	Gearbox, 45 RPM	1	
29	70000-131	Drive Cam S/A #1 .125"	1	71000-271	Gearbox, 60 RPM	1	
	70000-133	Drive Cam S/A #2 .055"	1	71000-272	Gearbox, 125 RPM	1	
	70000-132	Drive Cam S/A #3 .187"	1	71000-273	Gearbox, 250 RPM	1	
	70000-722	Drive Cam S/A #4 .100"	1	70000-439	Injection Valve S/A 37T VIT 1/2 PSI	1	
				90010-153	Cycle Timer 5 Sec. 24V-115V-230V 50/60 Hz	1	
				90010-151	Cycle Timer 1 Min. 24V-115V-230V 50/60 Hz	1	